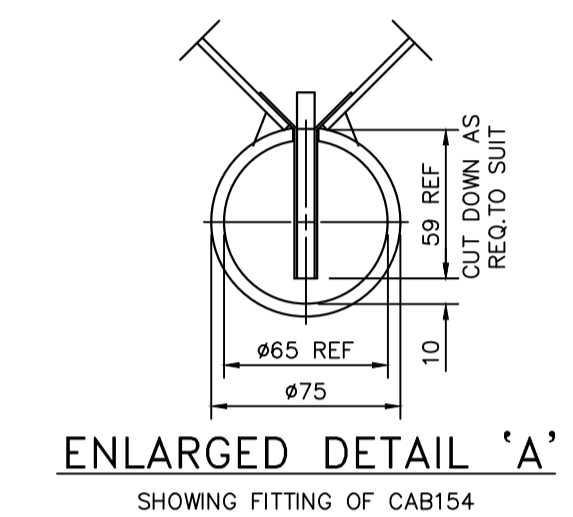


PROD. CODE	DESCRIPTION	PROD. CODE	DESCRIPTION
IND10151	ZERO INTERLOCK BRACKET L	13116	ZERO - BLOW OFF NOZZLE
IND10168AL	ADAPTOR 21mmO/D x M20 STRAIGHT	A16	TAILPIECE 1/4"
IND10178	MOUNTING PAD	A17	O CLIP 1/2"
IND10181	CONDUIT - 20mm O/DIA M.S.	A18	UNION NUT BRASS 1/4"
IND10182	ELBOW - 20mm O/DIA CONDUIT	CAB1446KX	HOPPER EXHAUST KIT - 1446 CABS
IND10183	COUPLER - 20mm O/DIA CONDUIT	CAB154	ABRASIVE CHUTE 800P/1200P
IND10184	BUSH - 20mm HEX SHORT MALE	CAB16	LIGHT FITTING
IND10187	SADDLE - 20mm CONDUIT	CAB196	LATCH - A2 DRAW STYLE (YELLOW)
IND10189	TERM BOX-75x75x37 MS	CAB383FGPKIT	VALVE - 3/8" 5/2 FOOT/SPRING
IND10217	DUCT COUPLER - 4" DIA MALE	CAB73A	ENCLOSURE 80mm x 82mm x 85mm
IND10679	PUSH-BUTTON ASSEMBLY DOUBLE	CABLD34	ANTI ETCH SCREEN (5 PER SET)
IND10823	CONDUIT - FLEXIBLE SP20	CABLD37	BLAST GATE DAMPER - 3"
IND10824	CONDUIT ADAPTOR STR. SP20/M30	CABLD38	BLAST GATE DAMPER - 4"
IND10825	CONDUIT ADAPT STR. SWIV. SP20/M20	CABLD7	ADAPTOR NIPPLE 1/4" x 1/2"
IND10859A	CONTROL PANEL - 1.1kW - AUTO-PULSE	CABRG14S	REGRADER ASSEMBLY - 14" POT
IND11542	VALVE - 1/8" 3/2 SOL. SPR. 240V	HC5288	CABLE TIE
IND11542P	PLUG - DIN C/W 1m MOULDED CABLE	CPF0021	ELBOW - 1/4" M/F PLATED
IND11566	HOSE CLIP - 89mm/101mm	HC5068	CABINET ARM HOLES - PLASTIC
IND1500RLK	LINING KIT - 1500 CAB TOP.FRONT	HC5132	LIGHT MODULE FABRICATION
INDMJC92222	DUST COLLECTOR - 1.1KW	HC5288	WORKPLATE - 4 QUARTERS
IND1446SGVCR	BLAST MACHINE - CABINETS	HC53721	SPIGOT - 3" FLANGED
JC3	HOSE CLIP WORM DRIVE 70 - 89	HC55271	SPIGOT - 3" FLANGED x 90 DEG.
JC4	HOSE CLIP WORM DRIVE 95 - 114	HC6627	CABINET FABRICATION - 1500 PRESSURE
KB48	1/4" x 3/8" NIPPLE	HC7307	BRACKET - SOLENOID VALVE
RCAMV10	TEE 1/4" BR F	HCSE13	HOSE - 3" HEAVY DUTY SUCTION
RCAMV4	BULKHEAD ADAPTOR 1/4" C/W NUT	HCSE20	HOSE - 3" FLEXIBLE RUBBER STD
PE11023	NIPPLE - 3/8" x 1/4" BRASS	HCSE21	HOSE - 4" FLEXIBLE RUBBER STD
RCAMV9	ADAPTOR - 1/8" x 1/4" BR.	HCSE2A	BLAST HOSE 3/4"x 5m COUPLED
RM23	ADAPTOR 1/4"x1/4"	IND10087	CONDUIT - 21mm O/DIA NYLON
XXHOSE7	AIR HOSE 1/4"ID BLUE BARE	IND10123	SLEEVE/GLOVE ASSEMBLY - PAIR
		IND10134	INTERLOCK SWITCH - CABINET



ENLARGED DETAIL 'A'  
SHOWING FITTING OF CAB154

ISSUE No	MOD. No	DRAWN	CHECKED	DATE
9	5026	A.M.		31.10.2013
8	4687	A.M.		19.04.2010
7	4662	A.M.		13.10.2009
6	4118	ML		26.4.04
5	3621	A.M.		28.06.2001
4	3579	A.M.		20.04.2001
3	3480	A.M.		28.11.2000
2	3478	A.M.		27.11.2000
1	ORIGINAL	A.M.		11.08.2000

**GENERAL NOTES**

- 1) MATERIAL: COLD ROLLED MILD STEEL SHEET TO BS 1449 GRADE CR4 OR EQUIVALENT; HOT ROLLED MILD STEEL SECTIONS TO BS 4360 GRADE 43A OR EQUIVALENT. FINISH: SELF-COLOUR FOR PAINTING.
- 2) REMOVE ALL SHARP EDGES AND BURRS.
- 3) JOINTS AND CONSTRUCTION TO SUIT MANUFACTURERS' STANDARD PROCESSES.
- 4) DIMENSIONS AND TOLERANCES TO BS 308.
- 5) MACHINED SURFACES UNLESS STATED.
- 6) THREADS TO BS 3643 6H/6g OR BS 21 UNLESS STATED.
- 7) \*
- 8) \*
- 9) \*

**WELDING**

WELDING GENERALLY TO BS 5135 CAT. C & BS 4872 PT. 1 ALL JOINTS & CONNECTIONS OF R.S. SECTIONS CONTINUOUS PLATE TO R.S. SECTION INTERMITTENT 75 WELD 100 GAP

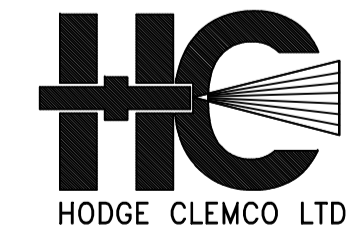
PLATE THICKNESS	1,6; 2,2; 2,5; 3; 5; 6; 8; 10	12	PLATE OVER 12
WELD SIZE	3	6	10 AS SPECIFIED

**TOLERANCES**

	FABRICATION	MACHINING
HOLE CENTRES	±1mm	±0.25mm
DIAMETER	±3mm	±0.25mm
ANGULAR	±1'	±0.5'
LINEAR	±3mm	±0.5mm

**COPYRIGHT**

THIS DOCUMENT IS THE PRIVATE & CONFIDENTIAL PROPERTY OF HODGE CLEMCO LIMITED & MUST NOT BE REPRODUCED OR DISCLOSED TO ANY THIRD PARTY WITHOUT PRIOR WRITTEN CONSENT OF THE AFOREMENTIONED COMPANY.



HODGE CLEMCO LIMITED,  
ORGREAVE DRIVE,  
SHEFFIELD,  
S13 9NR.  
TEL. 0114 2540600  
FAX. 0114 2540250

**DO NOT SCALE - IF IN DOUBT ASK**

TITLE G.A. IND 1500COMP XM SERIES PRESSURE CABINET SYSTEM

CUSTOMER STOCK

DRAWN	DATE	DIMENSION	SCALE
A.M.	11.08.2000	MM	1:15

DRAWING No	SIZE
HC-6667	A1

**AIR REQUIREMENTS**

AIR SUPPLY ~ 100 PSI - CONSUMPTION AT 100 PSI

3/16" NOZZLE = 45 CFM  
1/4" NOZZLE = 81 CFM  
5/16" NOZZLE = 137 CFM

**ELECTRICAL REQUIREMENTS**

FAN MOTOR - 1.1kW ~ 415V/3PH/50Hz - 2.35A FLC  
LIGHT MODULE - 36W ( 2 x 18W ) ~ 240V/1PH/50Hz  
SOLENOID VALVE - 14VA ~ 240V/1PH/50Hz

**PAINT SPECIFICATION**

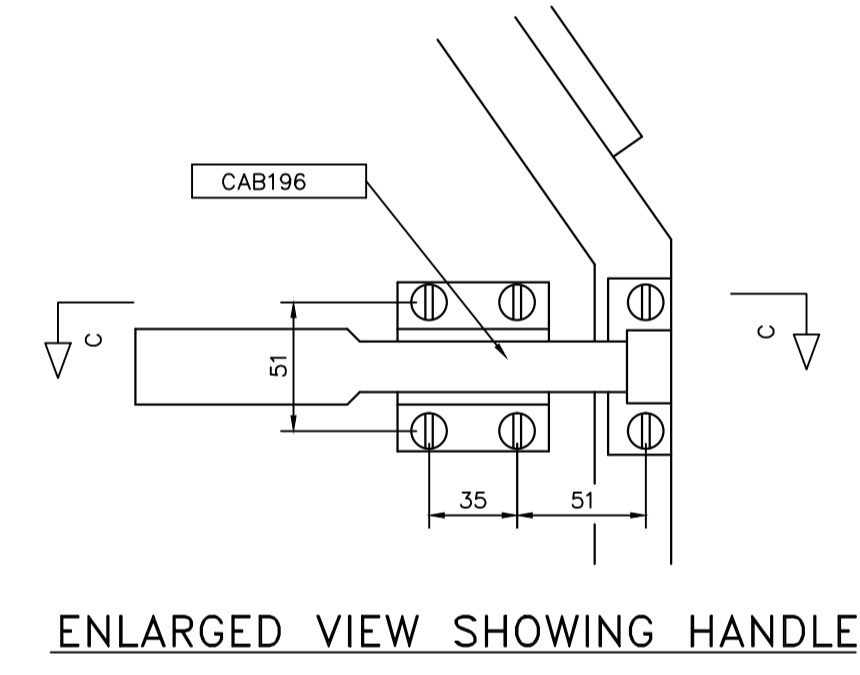
CLEMCO PREP & PAINT SPEC. RAL6003 - GREEN

**REFERENCE DRAWINGS**

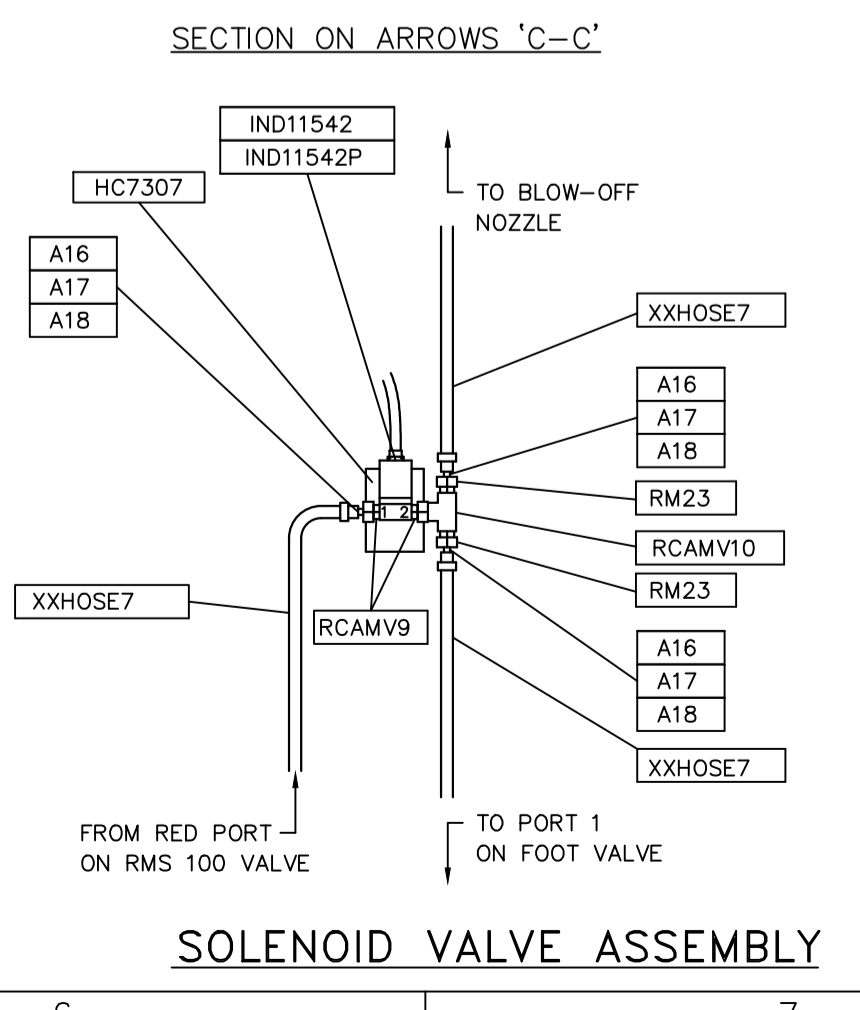
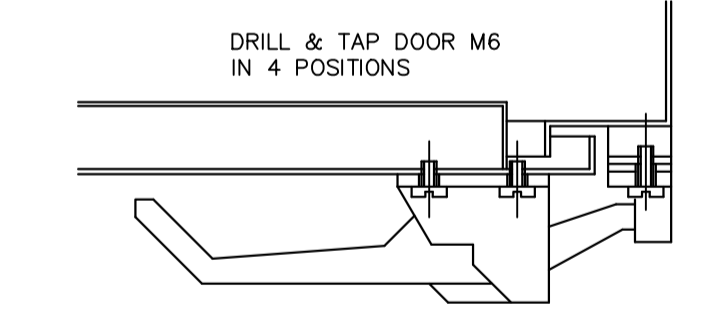
FOR ELECTRICAL DIAGRAM SEE HC-5264  
FOR PNEUMATIC DIAGRAM SEE HC-5121  
FOR EXHAUST INTO HOPPER SEE HC-6327

**TECHNICAL SPECIFICATION**

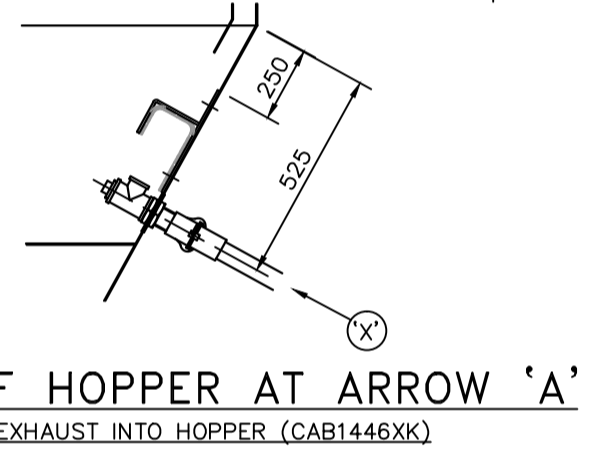
1. NOMINAL WORK CHAMBER SIZE = 1500(W) x 1450(D) x 1000(H)
2. MAXIMUM WORKTABLE CAPACITY = 100 KG
3. MINIMUM INTERIOR ILLUMINATION = 500 LUX.
4. BLOW-OFF GUN SUPPLIED AS STANDARD.
5. CALIBRATABLE DIAL-AIR REGULATOR SUPPLIED AS STANDARD.
6. 6 mm THK CLEAR POLISHED GEORGIAN WIRED GLASS TO BS 952 VIEWING WINDOW.
7. RUBBER CURTAINS TO INTERIOR WALLS.
8. SAFETY DOOR INTERLOCKS.



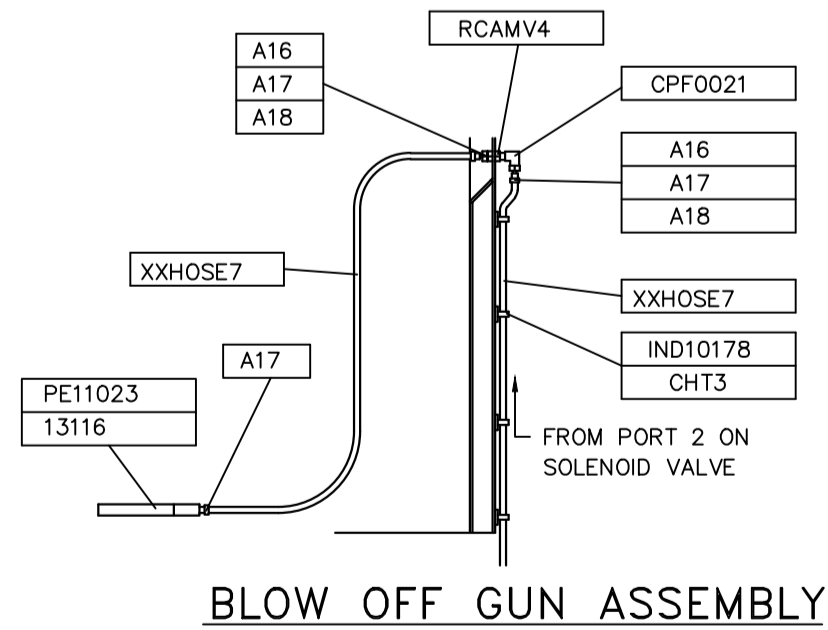
ENLARGED VIEW SHOWING HANDLE



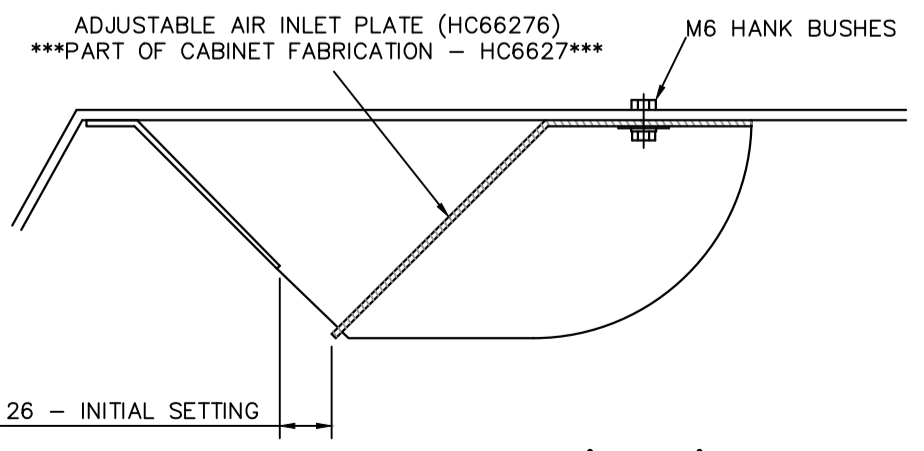
SOLENOID VALVE ASSEMBLY



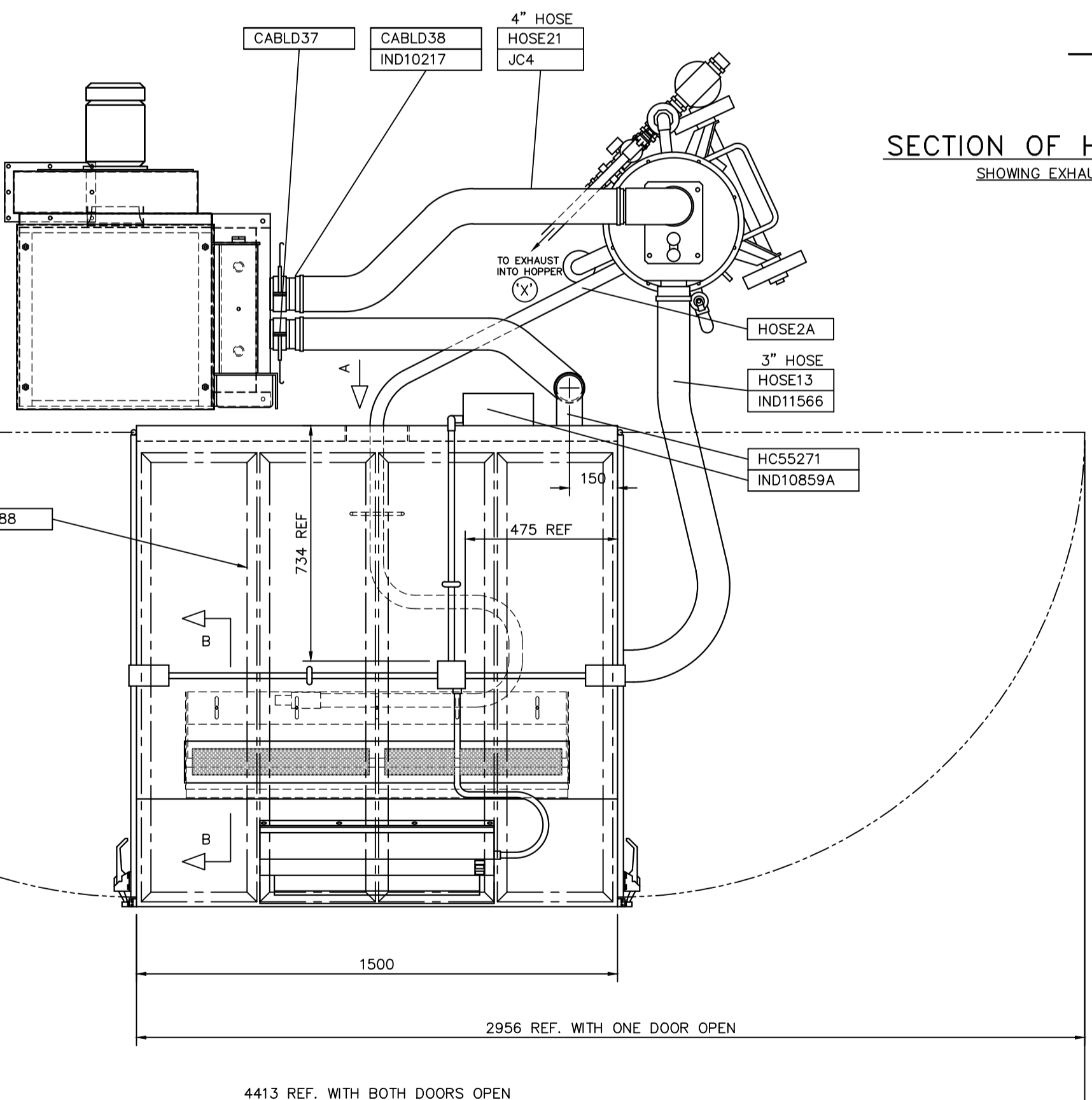
SECTION OF HOPPER AT ARROW 'A'  
SHOWING EXHAUST INTO HOPPER (CAB1446KX)



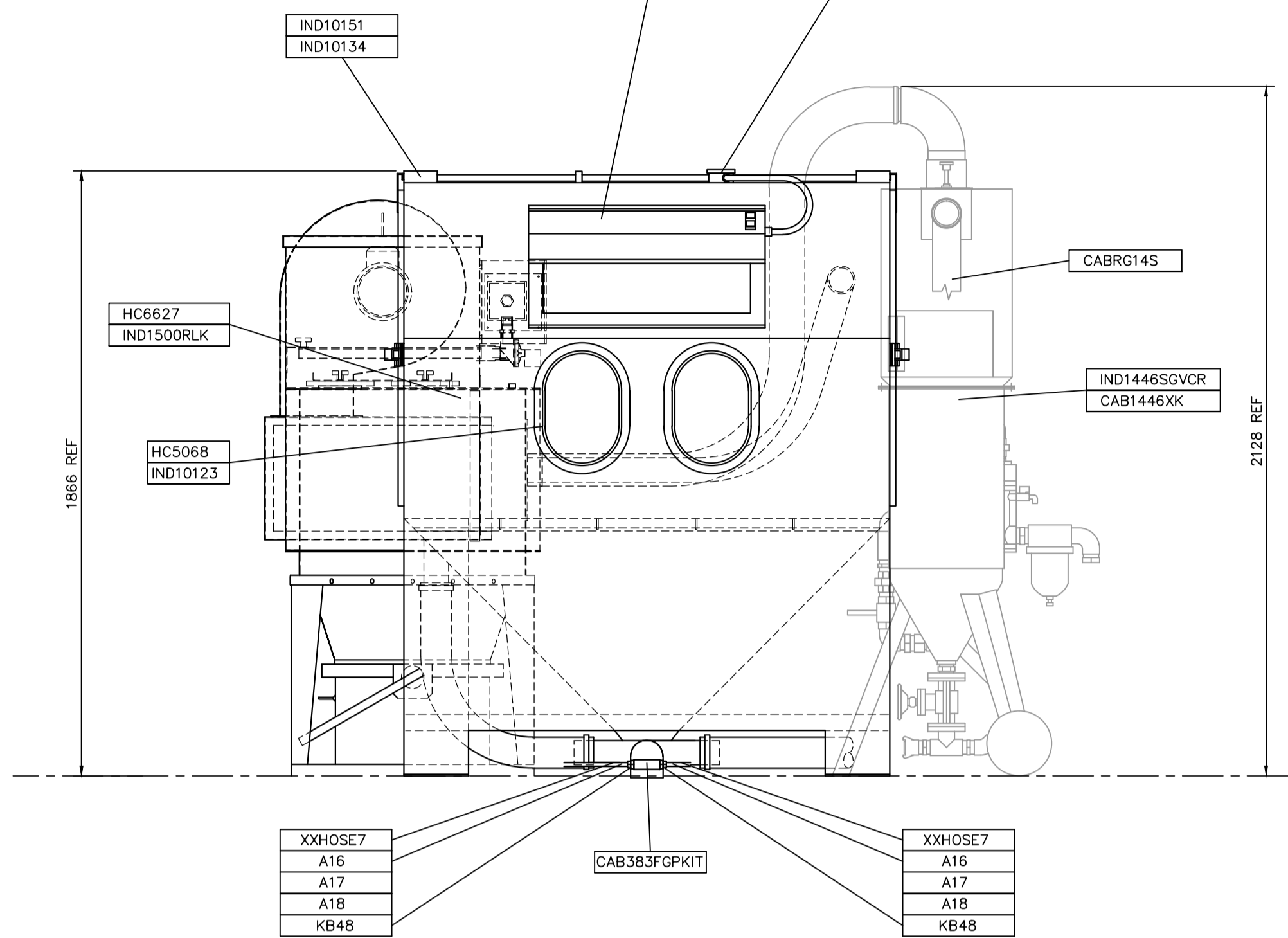
BLOW OFF GUN ASSEMBLY



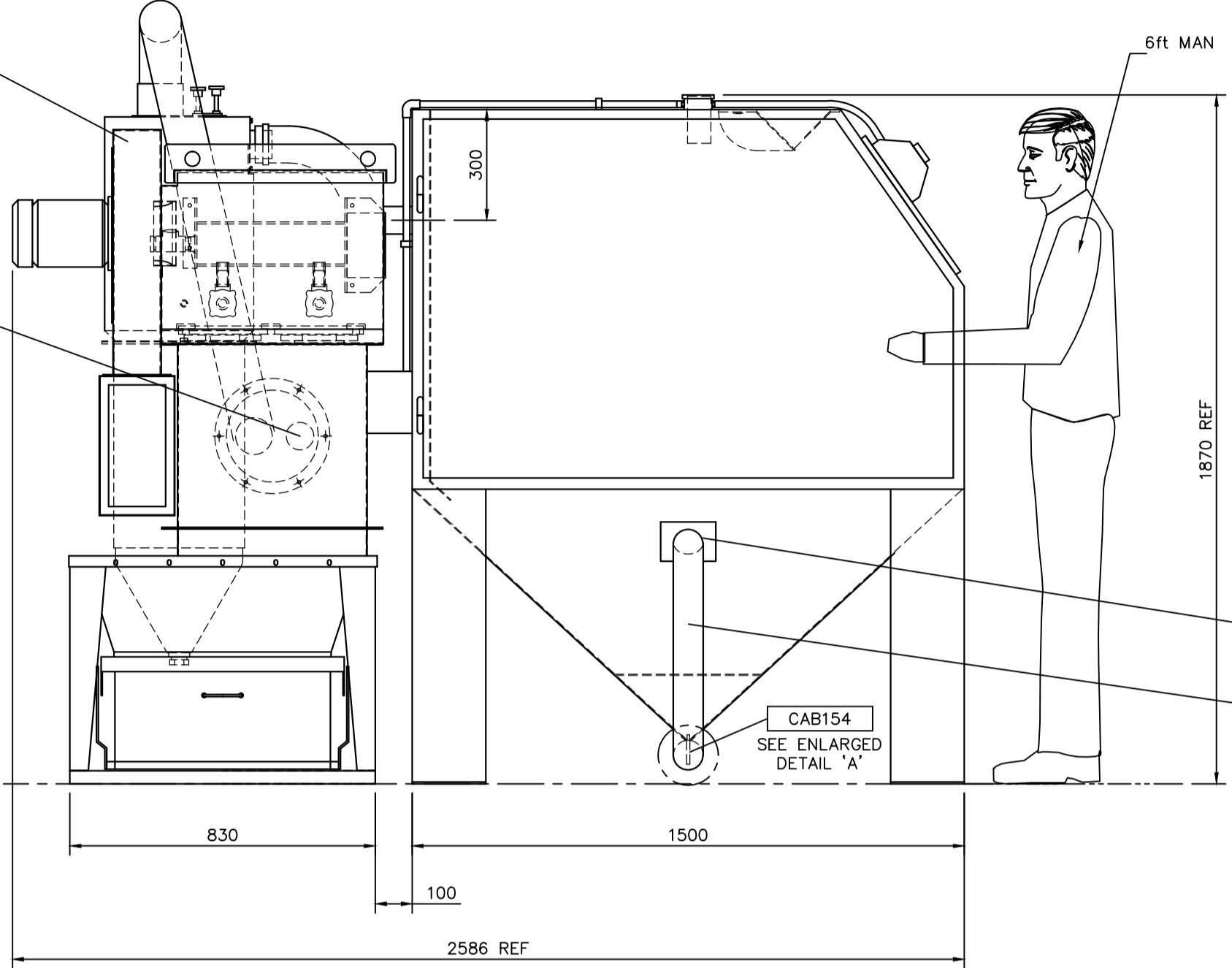
ENLARGED SECTION 'B-B'  
DETAIL SHOWING FITTING OF ADJUSTABLE AIR INLET PLATE (HC66276)



PLAN VIEW



FRONT VIEW



SIDE VIEW